

## Handling System for Rack Type Loading Dishwashing Driven 90° Curve - Counterclockwise direction

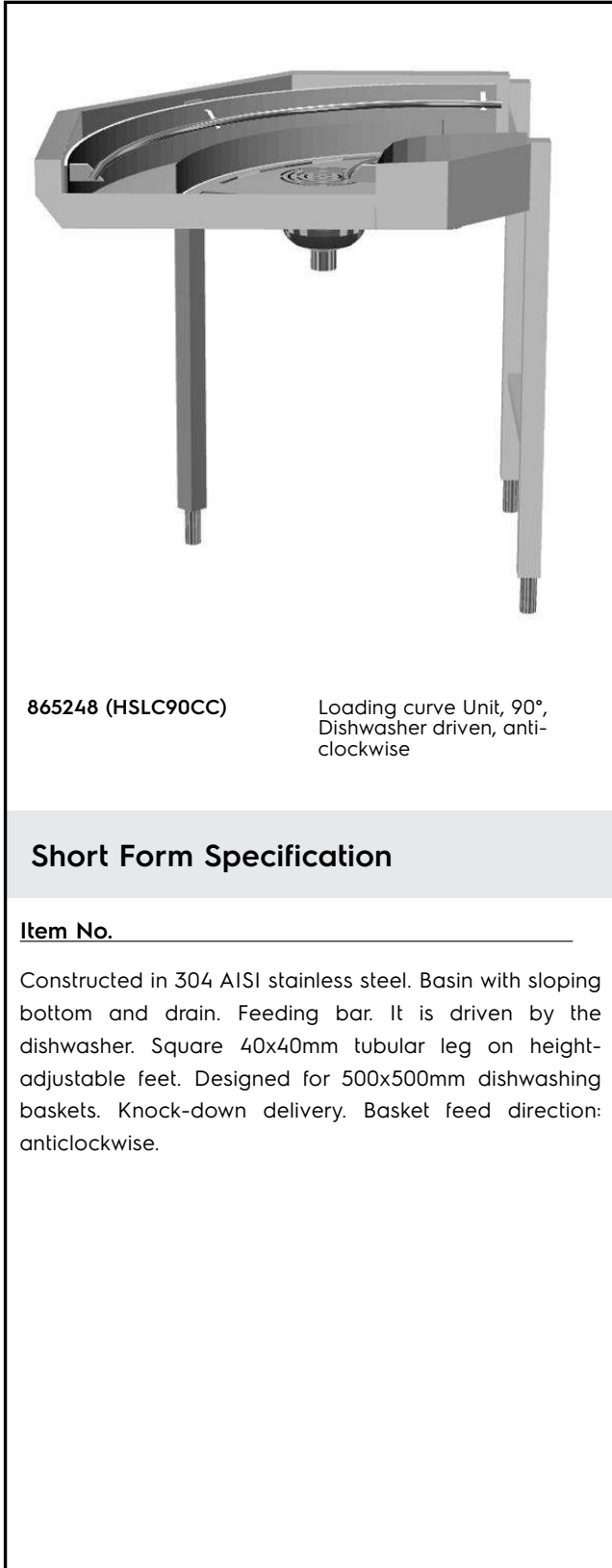
ITEM # \_\_\_\_\_

MODEL # \_\_\_\_\_

NAME # \_\_\_\_\_

SIS # \_\_\_\_\_

AIA # \_\_\_\_\_


**865248 (HSLC90CC)**

 Loading curve Unit, 90°,  
 Dishwasher driven, anti-  
 clockwise

### Short Form Specification

**Item No.** \_\_\_\_\_

Constructed in 304 AISI stainless steel. Basin with sloping bottom and drain. Feeding bar. It is driven by the dishwasher. Square 40x40mm tubular leg on height-adjustable feet. Designed for 500x500mm dishwashing baskets. Knock-down delivery. Basket feed direction: anticlockwise.

### Main Features

- Designed to transport 500x500 mm dishwashing baskets.
- "Key holes" and "snap on" system reduces the number of screws needed for fast and easy installation.
- The curve is driven by the dishwasher as the feeding arm in the curve will be connected with the conveyor of the dishwasher.
- Available counterclockwise direction for loading area.
- Loading curves provided with anti-jamming device to avoid rack jam.
- 45° cut corner to reduce space usage.
- Dishwasher curve 90° is intended for installation between a dishwasher and a roller conveyor or manual sorting table (on the loading side).

### Construction

- Three legs included.
- Stainless steel feet 50 mm adjustable in height to align the operation height between the dishwasher and table.
- AISI 304 1,2mm stainless steel basin.
- 40x40mm stainless steel tubular and square legs.
- All surfaces smooth with polished finish.
- Sloping bottom of the table grants a smooth and rapid drainage.
- Thick welded flanges for sturdy connection between the units.

**APPROVAL:** \_\_\_\_\_



**Electrolux**  
PROFESSIONAL

## Handling System for Rack Type Loading Dishwashing Driven 90° Curve - Counterclockwise direction

### Optional Accessories

- Emergency stop kit for Rack Type Dishwasher (not for Basic handling system) PNC 865162

### Key Information:

<b>External dimensions, Width:</b>	
<b>865248 (HSLC90CC)</b>	850 mm
<b>External dimensions, Depth:</b>	850 mm
<b>External dimensions, Height:</b>	910 mm
<b>Net weight:</b>	25 kg
<b>Height adjustment:</b>	50/50 mm
<b>Position to dishwasher:</b>	Loading
<b>Basin material:</b>	Stainless Steel AISI 304 - EN 1.4301



Handling System for Rack Type  
Loading Dishwashing Driven 90° Curve - Counterclockwise direction

The company reserves the right to make modifications to the products without prior notice. All information correct at time of printing.

2026.03.09